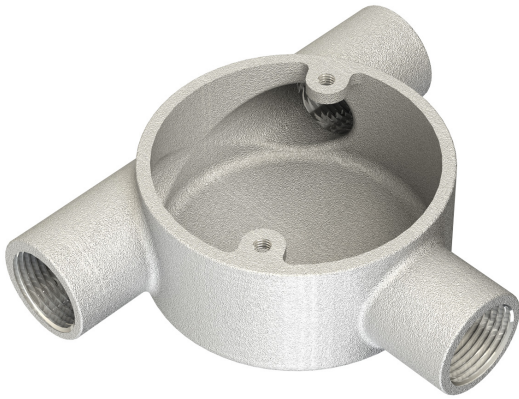


**PRODUCT CODE: MB17G**  
MALLEABLE CONDUIT BOX



**DESCRIPTION**

20mm Malleable Tangent Tee Conduit Box

**FINISH**

Hot Dipped Galvanised

**MATERIAL**

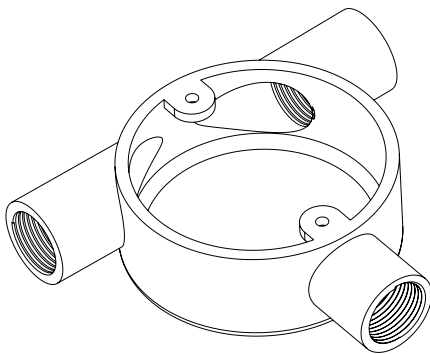
Malleable Iron

**PACKAGING**

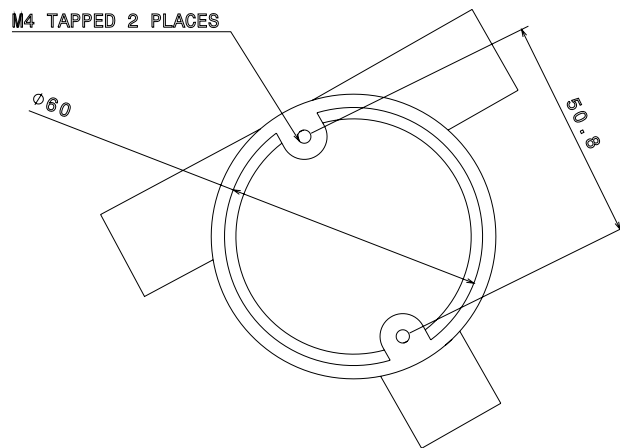
Packed in qty 10

**ADDITIONAL NOTES**

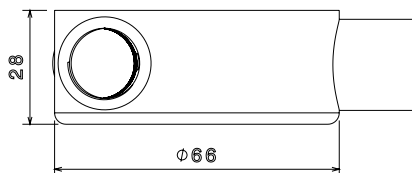
Conforms to BS EN61386-1:2008  
Compliant to LU Standard 1-085 (for use on surface & sub-surface locations)



Isometric view

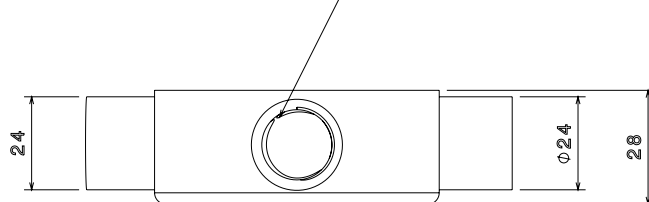


Top view



Side View

M25 CONDUIT THREAD x16MM DEEP



Front view